

-100V, -30A P-CHANNEL POWER MOSFET

GENERAL DESCRIPTION

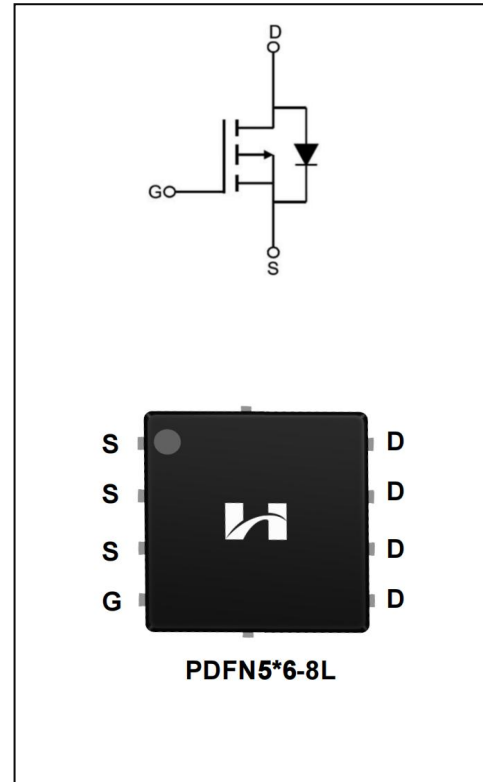
The SFM10003PT uses advanced trench technology and design to provide excellent  $R_{DS(on)}$  with low gate charge. It can be used in a wide variety applications.

Features

- ◆  $V_{DS}=-100V, I_D=-30A$
- ◆  $R_{DS(on)}$   
 TYP:  $39m\Omega @ V_{GS}=-10V$   
 TYP:  $43m\Omega @ V_{GS}=-4.5V$

Applications

- ◆ Power faction correction (PFC)
- ◆ Switched mode power supplies (SMPS)
- ◆ Uninterruptible power supply (UPS)
- ◆ LED lighting power



ORDERING INFORMATION

| Part No.   | Package    | Marking    | Material | Packing |
|------------|------------|------------|----------|---------|
| SFM10003PT | PDFN5*6-8L | SFM10003PT | Pb Free  | reel    |

## ABSOLUTE MAXIMUM RATINGS (T<sub>J</sub>=25°C unless otherwise noted)

| Characteristics   |                        | Symbol           | Ratings  | Unit |
|---|------------------------|------------------|----------|------|
| Drain-Source Voltage  |                        | V <sub>DS</sub>  | -100     | V    |
| Gate-Source Voltage   |                        | V <sub>GS</sub>  | ±20      | V    |
| Drain Current   | T <sub>C</sub> = 25°C  | I <sub>D</sub>   | -30      | A    |
|   | T <sub>C</sub> = 100°C |                  | -20      |      |
| Drain Current Pulsed(Note 1)  |                        | I <sub>DM</sub>  | -120     | A    |
| Power Dissipation(T <sub>C</sub> =25°C)<br>-Derate above 25°C                 |                        | P <sub>D</sub>   | 90       | W    |
| Single Pulsed Avalanche Energy (Note 2)                                       |                        | E <sub>AS</sub>  | 361      | mJ   |
| Operation Junction Temperature Range  |                        | T <sub>J</sub>   | -55~+150 | °C   |
| Storage Temperature Range   |                        | T <sub>stg</sub> | -55~+150 | °C   |
| Maximum lead temperature for soldering purposes, 1/8" from case for 5 seconds |                        | TL               | 260      | °C   |

## THERMAL CHARACTERISTICS

| Characteristics                         | Symbol           | MAX | Unit |
|---|------------------|-----|------|
| Thermal Resistance, Junction-to-Case    | R <sub>θJC</sub> | 1.5 | °C/W |
| Thermal Resistance, Junction-to-Ambient | R <sub>θJA</sub> | 60  | °C/W |

## ELECTRICAL CHARACTERISTICS

| Characteristics                          | Symbol              | Test conditions   | Min. | Typ.  | Max. | Unit |
|--|---------------------|---|------|-------|------|------|
| Off Characteristics                      |                     |   |      |       |      |      |
| Drain -Source Breakdown Voltage          | B <sub>VDS</sub>    | V <sub>GS</sub> =0V, I <sub>D</sub> =-250μA   | -100 | --    | --   | V    |
| Drain-Source Leakage Current             | I <sub>DSS</sub>    | V <sub>DS</sub> =-100V, V <sub>GS</sub> =0V   | --   | --    | -1   | uA   |
| Gate-Source Leakage Current              | I <sub>GSS</sub>    | V <sub>GS</sub> =20V, V <sub>DS</sub> =0V   | --   | --    | 100  | nA   |
| Gate-Source Leakage Current              | I <sub>GSS</sub>    | V <sub>GS</sub> =-20V, V <sub>DS</sub> =0V  | --   | --    | -100 |      |
| On Characteristics                       |                     |   |      |       |      |      |
| Gate Threshold Voltage                   | V <sub>GS(th)</sub> | V <sub>GS</sub> = V <sub>DS</sub> , I <sub>D</sub> =-250μA  | -1.0 | -2.0  | -2.5 | V    |
| Static Drain- Source On State Resistance | R <sub>DSON</sub>   | V <sub>GS</sub> =-10V, I <sub>D</sub> =-15A   | --   | 39    | 50   | mΩ   |
|  |                     | V <sub>GS</sub> =-4.5V, I <sub>D</sub> =-10A  | --   | 43    | 55   |      |
| Dynamic Characteristics                  |                     |   |      |       |      |      |
| Input Capacitance                        | C <sub>iss</sub>    | V <sub>DS</sub> =-25V<br>V <sub>GS</sub> =0V<br>f=1.0MHZ  | --   | 4620  | --   | pF   |
| Output Capacitance                       | C <sub>oss</sub>    |   | --   | 275   | --   |      |
| Reverse Transfer Capacitance             | C <sub>rss</sub>    |   | --   | 208   | --   |      |
| Switching Characteristics                |                     |   |      |       |      |      |
| Turn-on Delay Time                       | t <sub>d(on)</sub>  | V <sub>DD</sub> =-50V, V <sub>GS</sub> =-10V<br>R <sub>G</sub> =10Ω, I <sub>D</sub> =-15A<br>(Note 3.4) | --   | 10.2  | --   | ns   |
| Turn-on Rise Time                        | t <sub>r</sub>      |   | --   | 40.1  | --   |      |
| Turn-off Delay Time                      | t <sub>d(off)</sub> |   | --   | 265.3 | --   |      |
| Turn-off Fall Time                       | t <sub>f</sub>      |   | --   | 92.5  | --   |      |

|                    |          |  |    |      |    |    |
|--------------------|----------|--|----|------|----|----|
| Total Gate Charge  | $Q_g$    | $V_{DS}=-50V, I_D=-15A$<br>$V_{GS}=-10V$<br>(Note 3.4) | -- | 80.5 | -- | nc |
| Gate-Source Charge | $Q_{gs}$ |  | -- | 19.1 | -- |    |
| Gate-Drain Charge  | $Q_{gd}$ |  | -- | 14.7 | -- |    |

## SOURCE-DRAIN DIODE RATINGS AND CHARACTERISTICS

| Characteristics           | Symbol   | Test conditions                                   | Min. | Typ.  | Max. | Unit |
|---------------------------|----------|---|------|-------|------|------|
| Continuous Source Current | $I_S$    | Integral Reverse P-N Junction Diode in the MOSFET | --   | --    | -30  | A    |
| Pulsed Source Current     | $I_{SM}$ |   | --   | --    | -120 |      |
| Diode Forward Voltage     | $V_{SD}$ | $I_S=-15, V_{GS}=0V$                              | --   | -0.82 | -1.2 | V    |
| Reverse Recovery Time     | $T_{rr}$ | $I_F=-15A$<br>$dI/dt=100A/\mu S$                  | --   | 36    | --   | ns   |
| Reverse Recovery Charge   | $Q_{rr}$ |   | --   | 52    | --   | nC   |

1. Pulse width limited by maximum junction temperature
2.  $L=0.5mH, V_{DD}=-50V, V_G=-10V, R_G=25\Omega$ , starting  $T_J=25^\circ C$
3. Pulse Test: Pulse width  $\leq 300\mu s$ , Duty cycle  $\leq 2\%$
4. Essentially independent of operating temperature

Typical Performance Characteristics

Figure 1. Output Characteristics

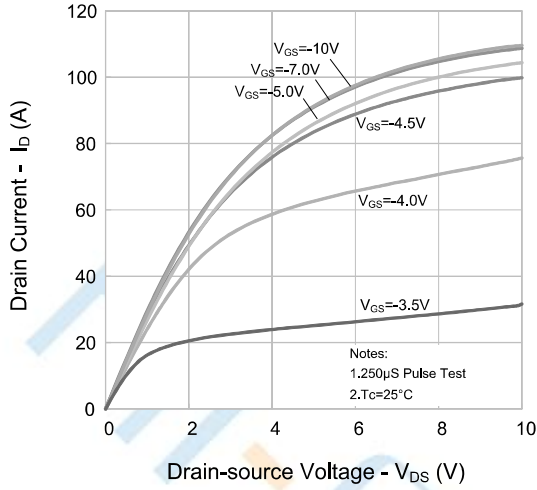


Figure 2. Transfer Characteristics

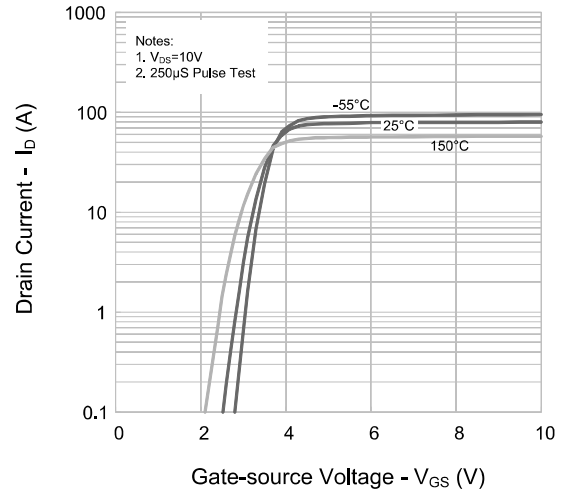


Figure 3. On-resistance vs. Drain Current

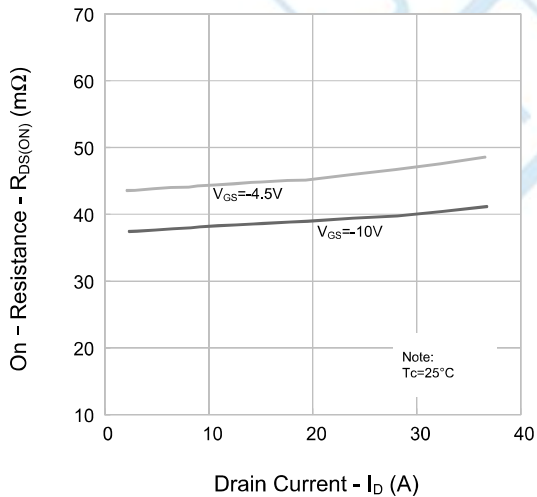


Figure 4. Body Diode Forward Voltage Variation vs. Source Current and Temperature

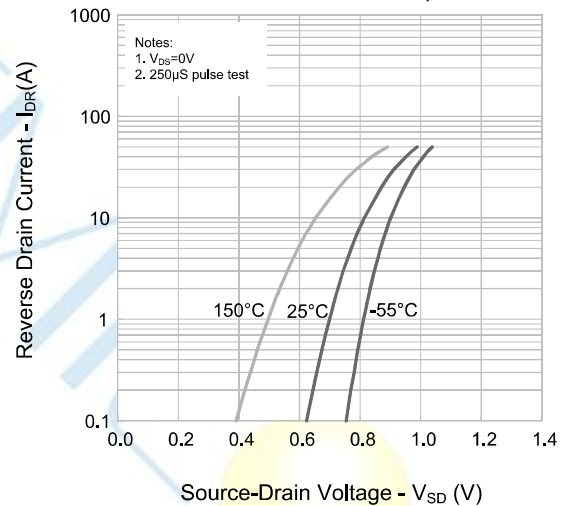


Figure 5. Capacitance Characteristics

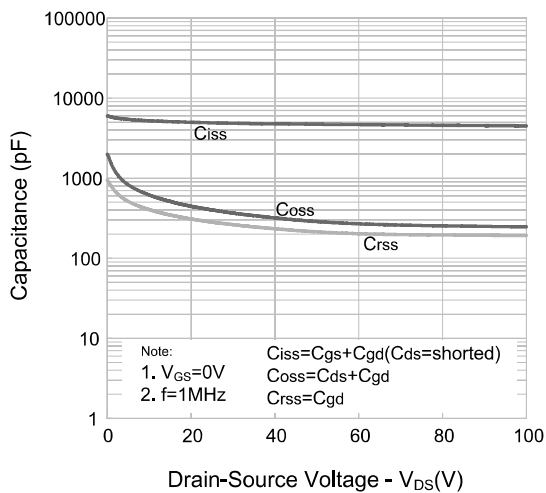
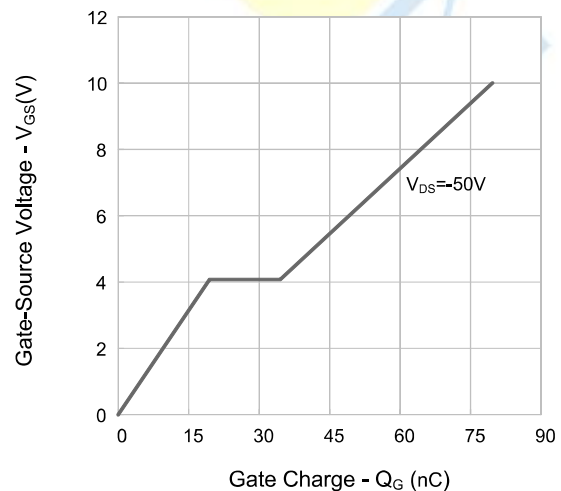


Figure 6. Gate Charge



Typical Performance Characteristics

Figure 7. Breakdown Voltage vs. Temperature Characteristics

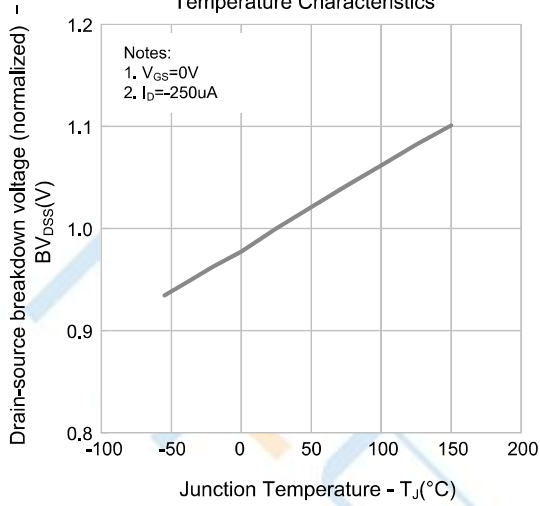


Figure 8. On-resistance vs. Temperature Characteristics

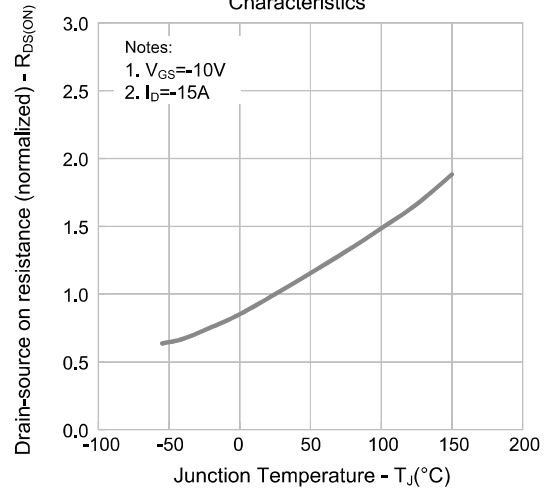
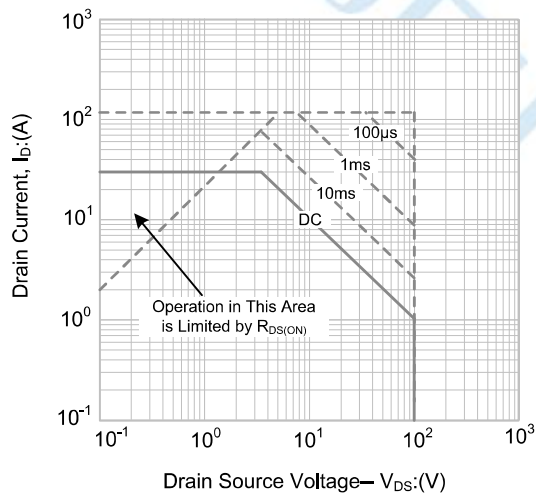
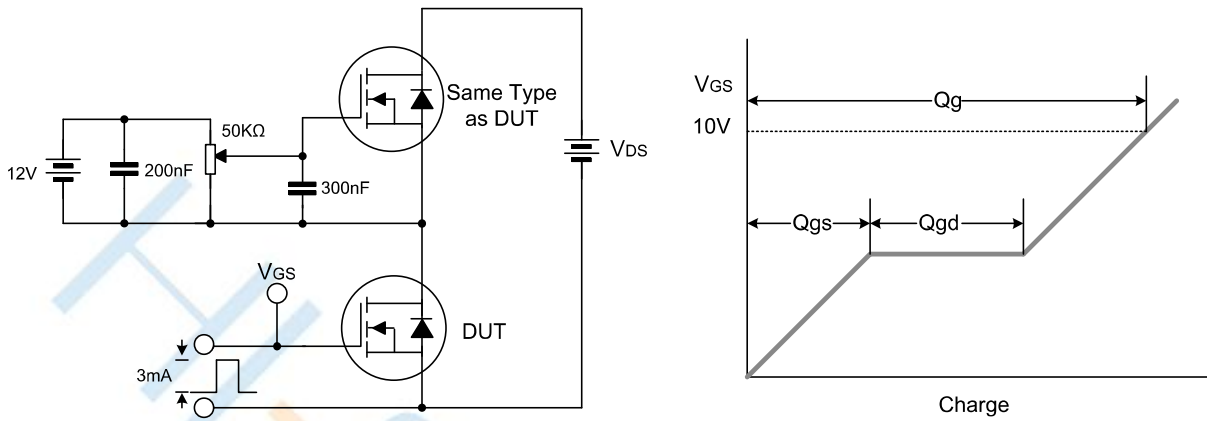


Figure 9. Max. Safe Operating Area

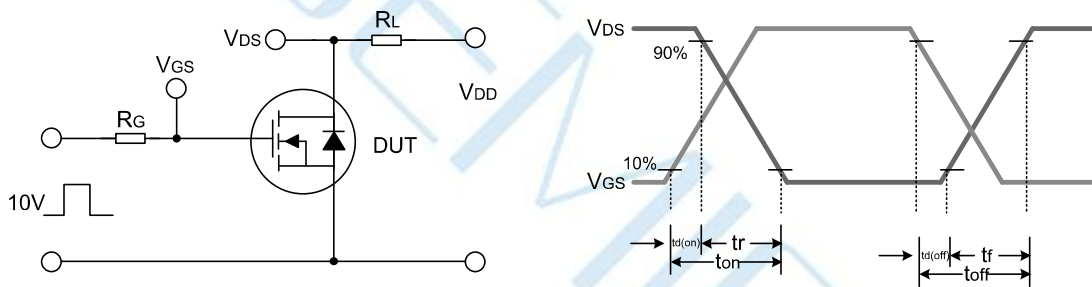


Test Circuit

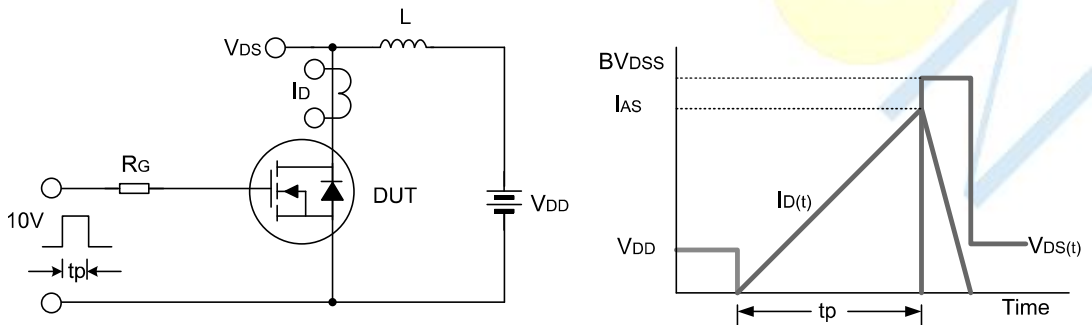
Gate Charge Test Circuit & Waveform



Resistive Switching Test Circuit & Waveform

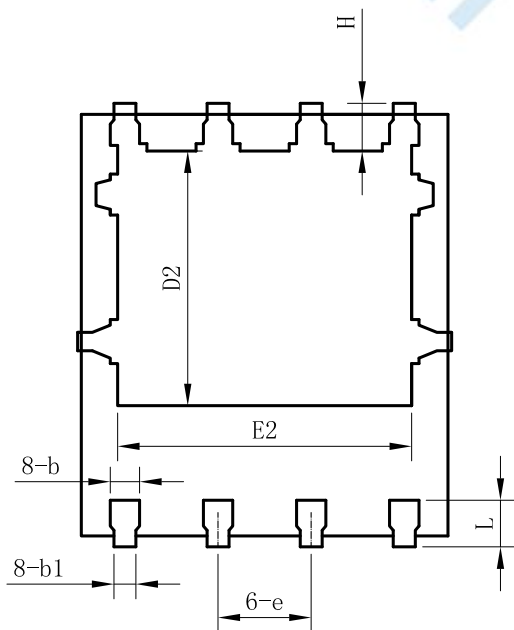
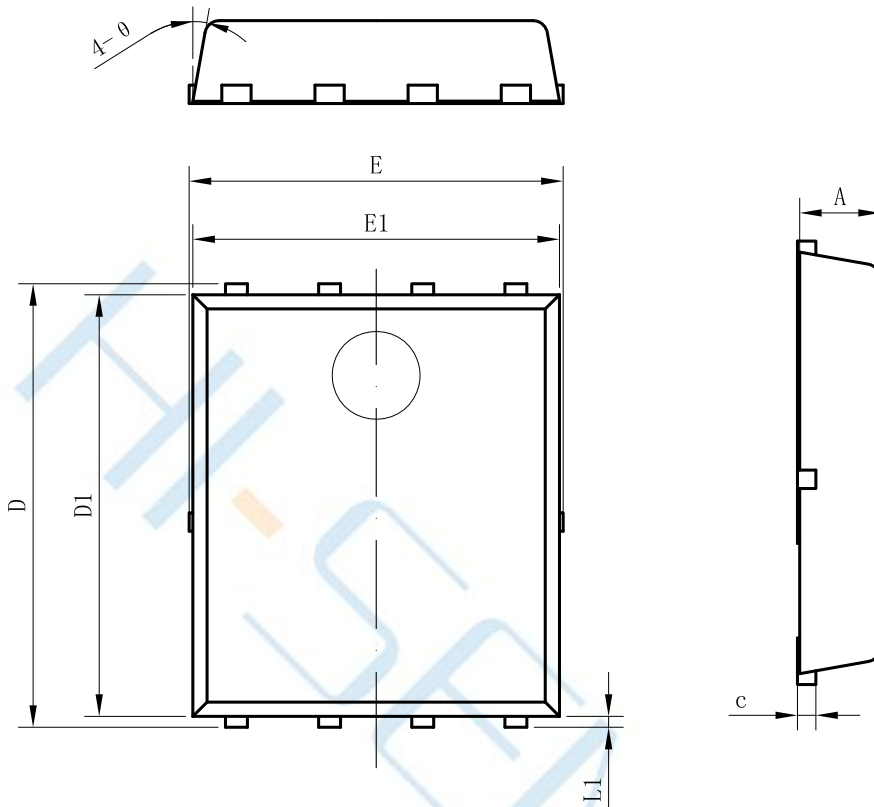


Unclamped Inductive Switching Test Circuit & Waveform



Package Dimensions of PDFN5\*6-8L

Unit:mm



COMMON DIMENSIONS  
(UNITS OF MEASURE=MILLIMETER)

| SYMBOL | MIN  | NOM     | MAX  |
|--------|------|---------|------|
| A      | 1.0  | 1.1     | 1.2  |
| b      | 0.35 | 0.4     | 0.45 |
| b1     |      | (0.3)   |      |
| c      | 0.2  | 0.25    | 0.35 |
| D      | 5.9  | 6.05    | 6.2  |
| D1     | 5.65 | 5.75    | 5.85 |
| D2     |      | (3.475) |      |
| E      |      |         | 5.2  |
| E1     | 4.9  | 5       | 5.1  |
| E2     |      | (4.01)  |      |
| e      |      | 1.27BSC |      |
| H      | 0.5  | 0.65    | 0.75 |
| L      | 0.51 | 0.635   | 0.75 |
| L1     |      | 0.15    |      |
| θ      |      | 10°     |      |

**Disclaimer:**

- ▶ Hi-semicon reserves the right to make changes to the information herein for the improvement of the design and performance without further notice! Customers should obtain the latest relevant information before placing orders and should verify that such information is complete and current.
- ▶ All semiconductor products malfunction or fail with some probability under special conditions. When using Hi-semicon products in system design or complete machine manufacturing, it is the responsibility of the buyer to comply with the safety standards strictly and take essential measures to avoid situations in which a malfunction or failure of such Hi-semicon products could cause loss of body injury or damage to property.
- ▶ Hi-semicon will supply the best possible product for customers!